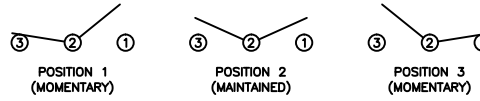


SCHEMATIC



SPECIFICATIONS

FUNCTION:
1P2T (ON)-OFF-(ON)

RATINGS:
ANSI/UL 1054, CN/CSA 22.2 No. 55 (E194579):
20A 125VAC 50/60Hz [cURus]
20A 250VAC 50/60Hz [cURus]
1.5HP 125/250V 50/60Hz [cURus]

EN 61058-1:2002 (50153550):
18(10)A 250V~ 50Hz 5E4 T85/55 [TUV]

CONTACT RESISTANCE:
Initial: 50mΩ Max.

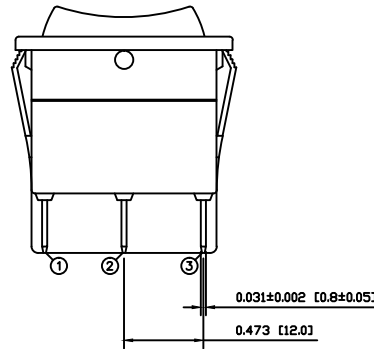
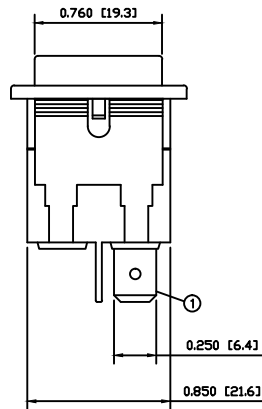
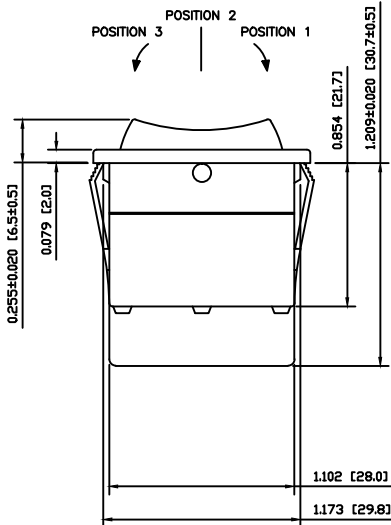
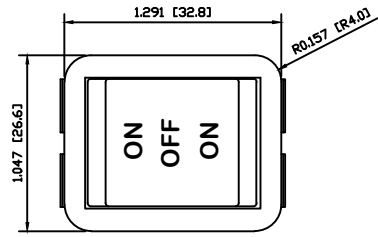
INSULATION RESISTANCE:
500MΩ Min. at 500VDC

DIELECTRIC STRENGTH:
1,500VAC For 1 Minute

TEMPERATURE:
Operating: -20°C to 65°C [cURus]
Operating: -20°C to 85°C [TUV]

INGRESS PROTECTION:
IP55

APPROVALS:



COLORS AND MARKINGS

BODY:
Black

ACTUATOR:
Black

MOUNTING EARS:
White

MARKINGS:
ON/OFF/ON Vertical (2)

MARKING COLOR:
White

MATERIALS

BODY:
Polyamide 6/6 (PA66), UL94 V-0

ACTUATOR:
Polyamide 6/6 (PA66), UL94 V-2

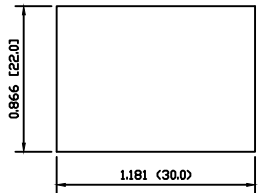
MOUNTING EARS:
Polyamide 6/6 (PA66), UL94 V-2

CONTACTS:
Silver Alloy

TERMINALS:
Silver Plated Copper

RUBBER SEAL:
Ethylene Propylene Thermoplastic Rubber (EPTR)

SUGGESTED PANEL CUTOUT



BODY	A	8/14/2015	-
COLORS	A	08/14/2015	-
MATERIALS	B	10/12/10	CAB
SPECIFICATIONS	B	11/01/17	CAB
REFERENCE	REV.	DATE	

THE INFORMATION CONTAINED IN THIS DOCUMENT IS PROPRIETARY TO E-SWITCH AND IS NOT TO BE COPIED OR TRANSFERRED.

A	INITIAL RELEASE	21952	8/17/2015	MW
REV.	DESCRIPTION	PCR	DATE	DRAWN BY

DIMENSIONS	
INCHES [MILLIMETERS]	
GENERAL TOLERANCES	
±0.008 [±0.2] / ±1"	
SCALE	PROJECTION
DRAWING NOT TO SCALE	1st Angle

<p>WB24DD1122</p>			
ITEM NUMBER	DATE	REVISION	
34-WB24DD1122	8/17/2015	A	

1

2

3

4

5

6

7

8

A

B

C

D